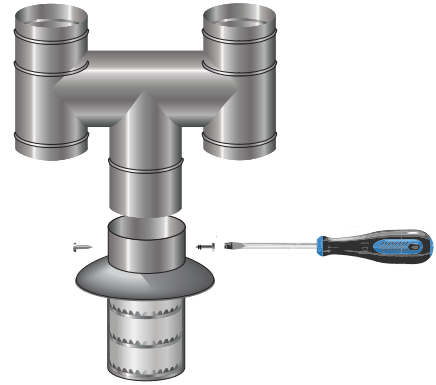
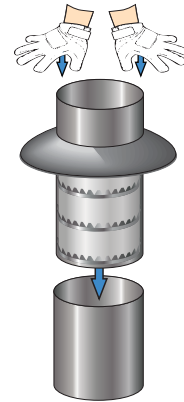


How they work?

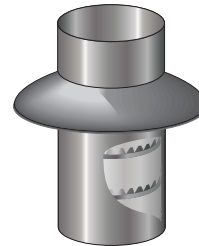
1. Simply unscrew the cowl from the barbed section.



2. Push the barbed section into the twin wall flue, using protective gloves.



3. The barb section is engaged fully when the existing twin wall flue hits the domed storm collar.



4. Replace cowl. For cleaning the flue or to change the terminal, simply unscrew as illustrated in step 1.

